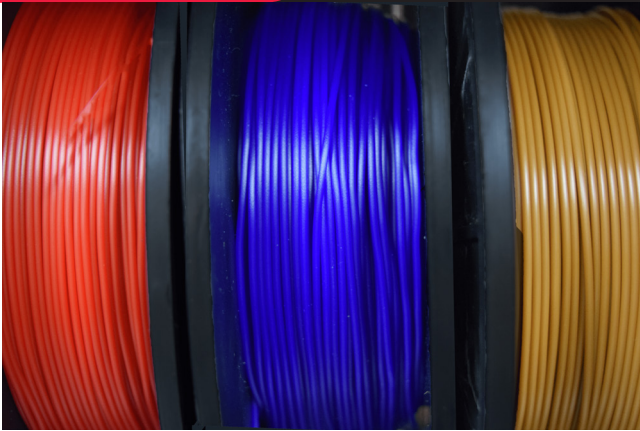




ALL THE TOOLS YOU'LL NEED TO  
FABRICATE DEVICES IN-HOUSE.



## Oven Specifications

### Maximum Temperature Rating

60°C (140°F)

### Power Requirements

120V, 10A, 50/60Hz

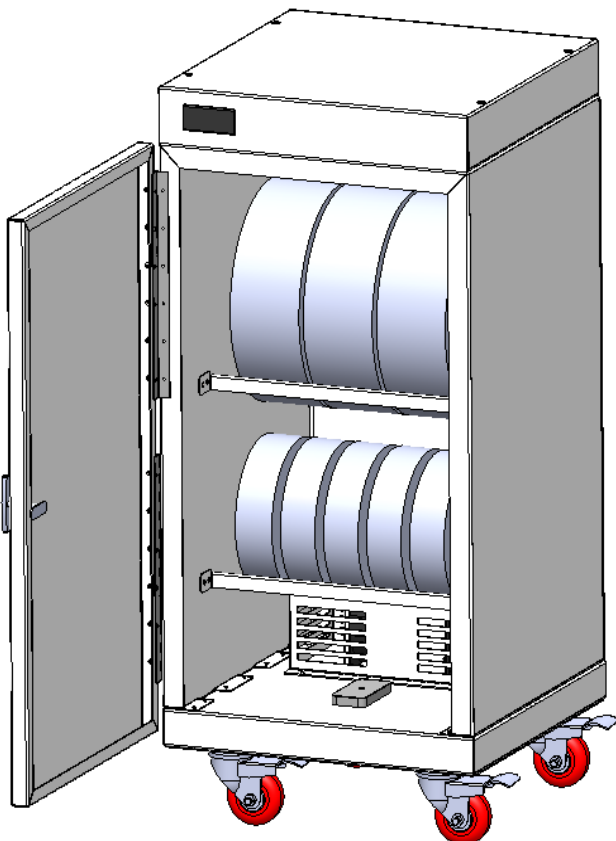
### Storage Capacity

Top Shelf:

(3) 2.5 kg filament rolls

Bottom Shelf:

(5) 750 gm filament rolls



## Filament Drying Oven

The Filament Drying Oven is the ideal moisture control and filament storage solution for your 3D printing needs. This portable oven provides accessible and reliable storage for a variety of filament types, while creating a hot, dry environment that keeps filament printer-ready and ensures smooth, error-free print jobs.

The oven is equipped with a 750-watt heater and 120 mm axial fan that circulate the heat and remove moisture from the air. A dual digital temperature and humidity display allows you to adjust and monitor temperature and humidity depending on filament type.

The Filament Drying Oven pairs perfectly with the Emergence PRO 3D Printing System and offers many integrated features including:

- Storage for (3) 2.5 kg and (5) 750 gm filament rolls
- Dual digital temperature and humidity display
- 750 W heater
- 120 mm axial fan for heat circulation

**For more information, please contact PVA Med at  
+1 (518) 371-2684 or [med@pva.net](mailto:med@pva.net).**

Headquarters  
6 Corporate Drive | Cohoes, NY 12047  
tel +1 518 371 2684 | fx +1 518 371 2688  
[pvamed.net](http://pvamed.net) | [med@pva.net](mailto:med@pva.net)

# Oven Dimensions

